

## SPECIFICATIONS

### ELECTRICAL

ELECTRICAL ELEMENT	Conductive plastic
RESISTANCE	5K $\Omega$ $\pm$ 20%
POWER RATING	0.25W @ 40°C
ELECTRICAL TRAVEL	220° $\pm$ 10° (110° off center)
MECHANICAL TRAVEL	260° centered
ROTATIONAL TORQUE	0.30 oz/in. max

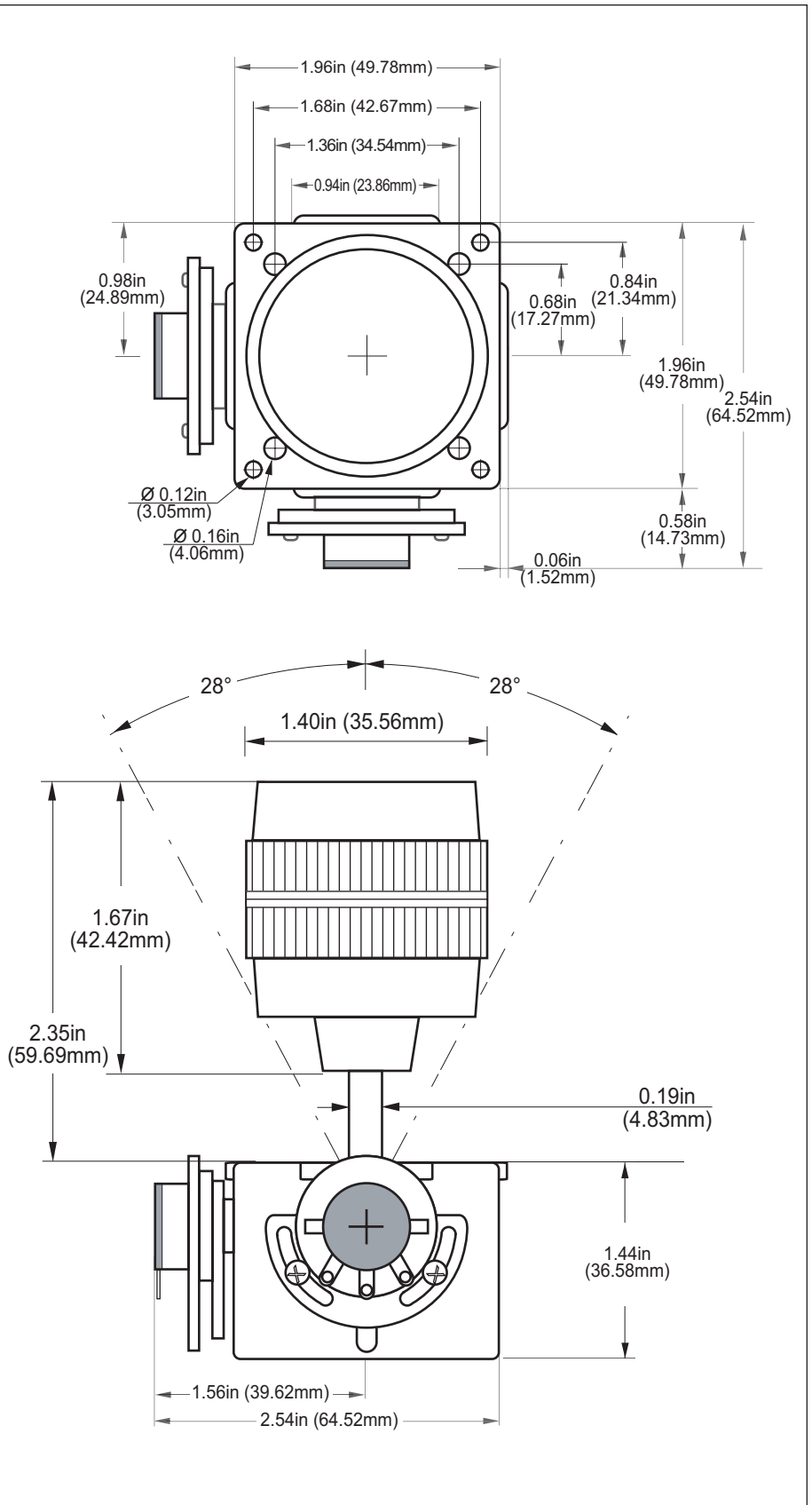
### MECHANICAL

OPERATING TRAVEL	54° (27° from center)
CENTERING	Spring centering
BREAKOUT FORCE	0.034Nm
OPERATING FORCE	0.061Nm
MAXIMUM FORCE	0.067Nm
LIFE EXPECTANCY	2 million

### WIRING

Z-AXIS:	Red -	Supply
	White -	Signal
	Blue -	Return

**RoHS** compliant



**CH**  
Products

P/N

**S30L081P**

REV  
**A**

DESCRIPTION

**Resistive Standard - 3 Axes, no Button**

PROPRIETARY AND CONFIDENTIAL

THE INFORMATION CONTAINED IN THIS DRAWING IS THE SOLE PROPERTY OF CH PRODUCTS. ANY REPRODUCTION IN PART OR AS WHOLE WITHOUT THE WRITTEN PERMISSION OF CH PRODUCTS IS PROHIBITED.