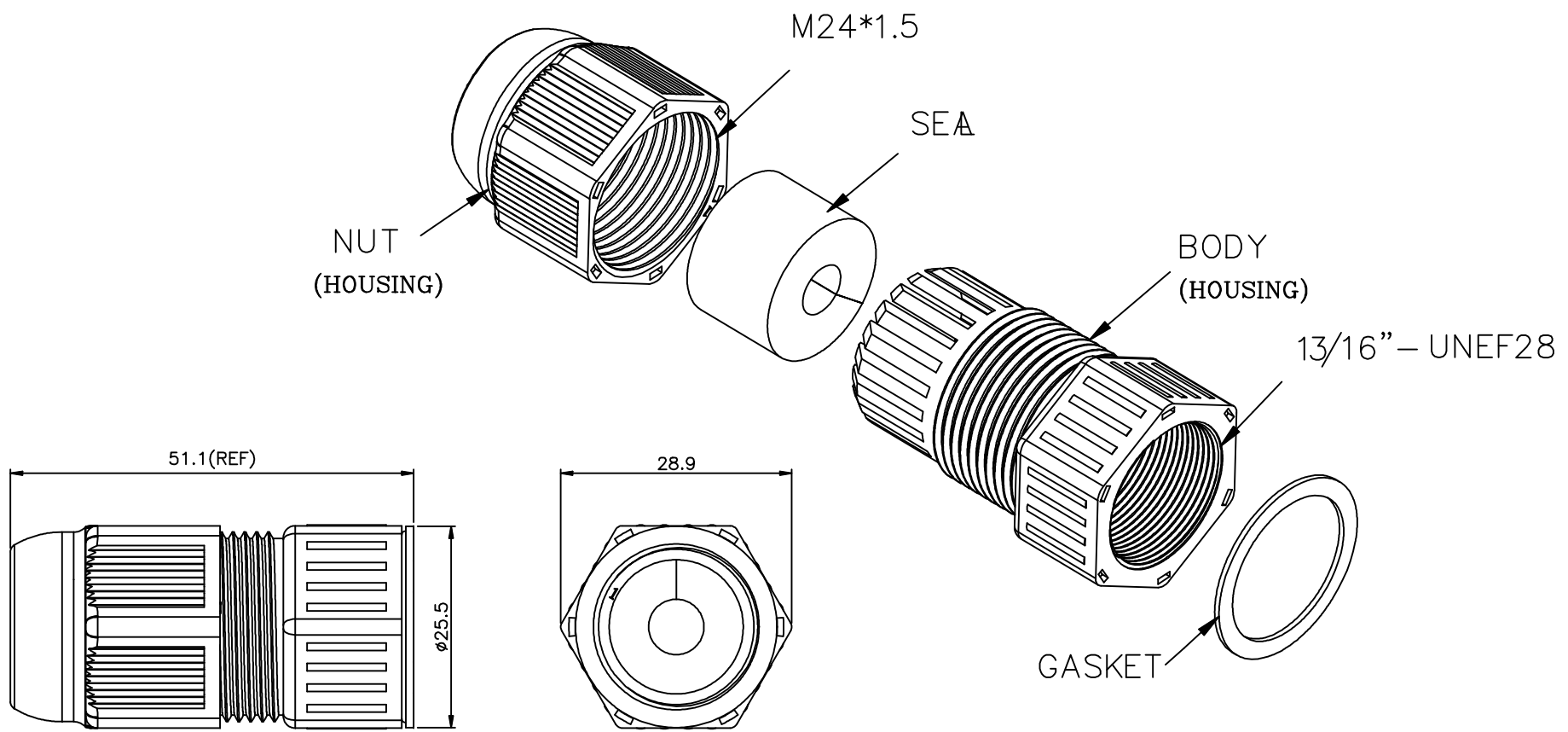



DESCRIPTION:



NOTES:

1. MATERIAL:  
 HOUSING: ENGINEERING THERMOPLASTIC,  
 UL94V-0, COLOR:BLACK.  
 SEAL: SILICON, COLOR:RED.  
 GASKET: SILICON, COLOR:RED.
2. APPLICABLE ETHERNET CABLE DIAMETER RANGE  $\phi 7 \sim \phi 5.5$

DO NOT SCALE FROM DRAWING

	THESE DRAWINGS AND SPECIFICATIONS ARE THE PROPERTY OF NorComp AND SHALL NOT BE REPRODUCED, COPIED OR USED AS THE BASIS FOR THE MANUFACTURE OF SALE OF APPARATUS WITHOUT WRITTEN PERMISSION.		DRAWN: <b>M. SIGMON</b>	DATE: <b>05-16-13</b>
			CHECKED:	DATE:
<h1>NorComp</h1>		SCALE: N.T.S.	SHEET 1 OF 1	REV 0
		DWG NO. <b>IPRJPLUGCOVER-P</b>		

RoHS COMPLIANT